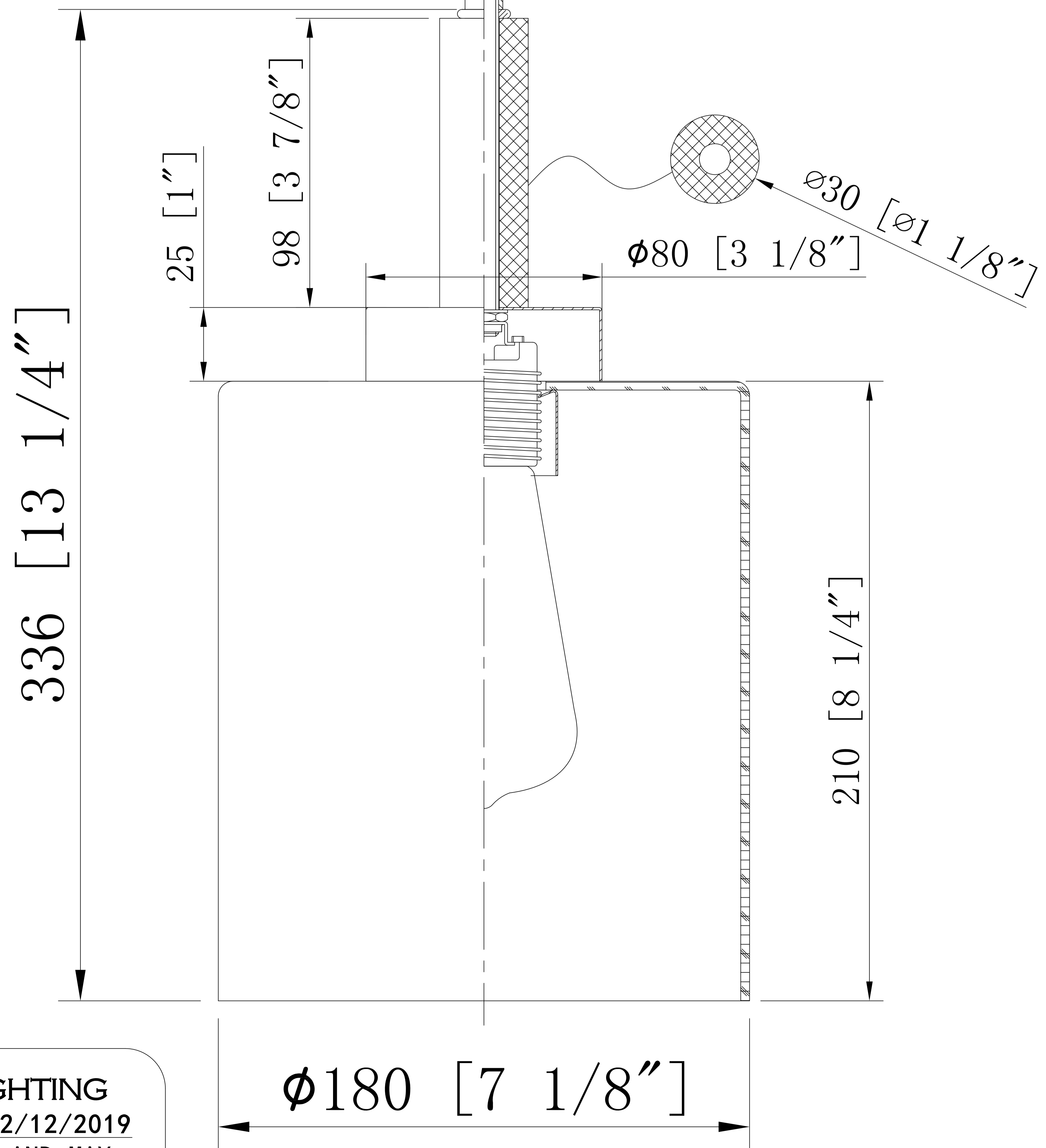
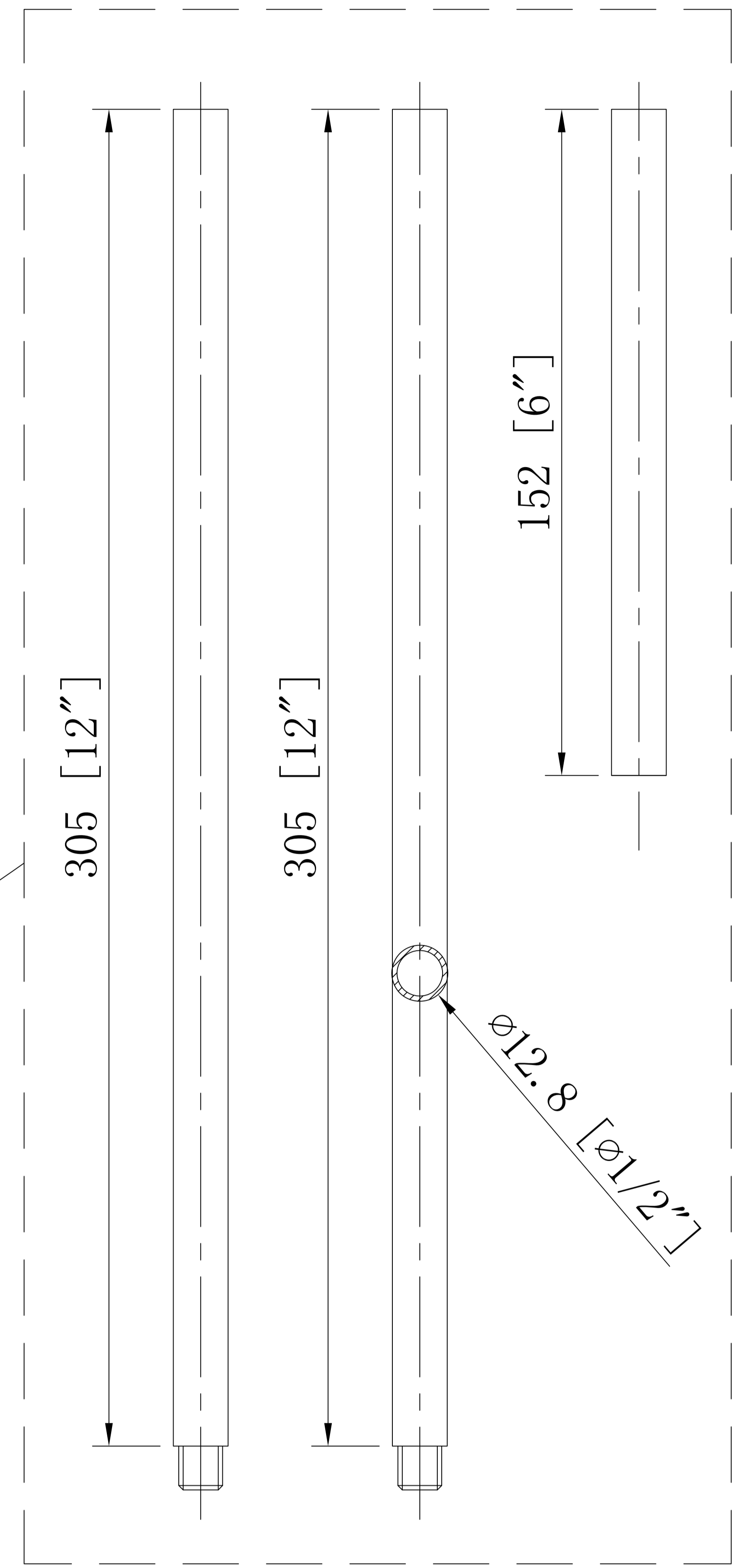
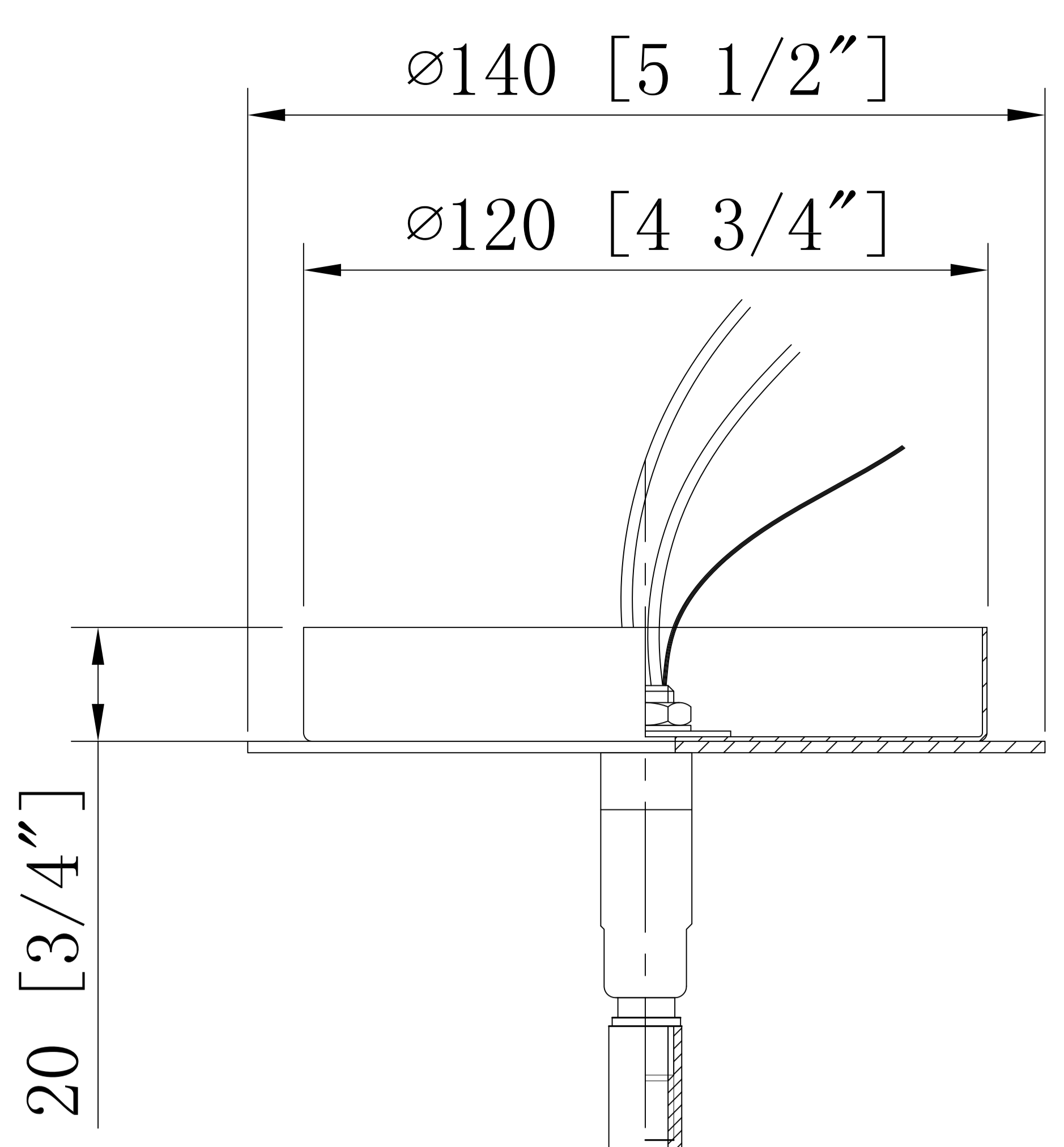


$\phi 10$ [$\phi 3/8$ "]



INNOVATIONS LIGHTING
 DESIGN COPYRIGHT - 12/12/2019
 ALL RIGHTS RESERVED AND MAY
 NOT BE DUPLICATED WITHOUT OUR
 WRITTEN PERMISSION

ITEM: 442-1S